



Producto distribuido por

**SDM**  
Oil & Gas

 (+51) 999 012777  [ventas@sdm.pe](mailto:ventas@sdm.pe)

[www.sdm.pe](http://www.sdm.pe) | Av. Galvez Barrenechea 274. San Isidro

# Cryogenic Stainless Steel Ball Valve

## Reduced Bore

DN15 - DN50 (1/2" - 2")

This Stainless Steel uni-directional ball valve has been designed specifically for cryogenic applications. It is available with Socket Weld and Butt Weld ends.

The flow co-efficient (CV) allows full flow of media from filling stations and portable delivery systems therefore no delay in filling time.

Other variations include:

- Bronze Version
- Actuated
- Full Bore

All valves are degreased for oxygen duty, assembled in clean room conditions and pressure tested prior to dispatch.

### Maximum Working Pressure (MWP)

Subject to end connections

Up to 50 bar (725 psi) at -196°C to +65°C

### Features

- Spring loaded gland seal giving low torque levels under both ambient and cryogenic conditions
- Precision investment cast body - smooth surface finish
- Once piece, anti-blow-out stem
- Relief hole to prevent trapping of liquefied gases
- Designed to prevent incorrect, and hence dangerous, re-assembly after stripping for maintenance
- Removable centre section designed to industry standard dimensions, allowing interchangeability in existing installations
- Valves can be supplied with actuators fitted allowing fast, remote automatic operation
- Long life spring loaded gland packing

### Technical

- Designed and engineered for use with Group 1 gases.
- Designed and manufactured in accordance with ASTM B31.1, BS EN 1626 and BS ISO 21011
- Optional full material traceability backed by BS EN 10204 3.1/3.2 certification.

CE Marked according to the Pressure Equipment Directive



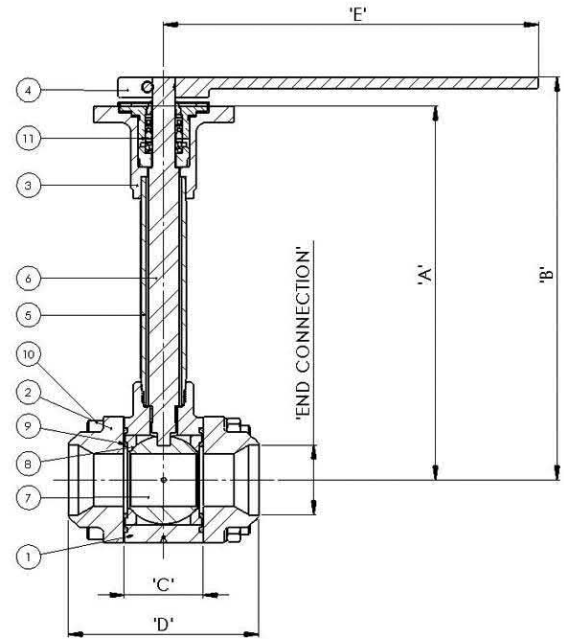
DN40 Stainless Steel Ball Valve with Butt Weld Ends



DN40 Stainless Steel Ball Valve with Socket Ends

## Materials

	Stainless Steel
1. Body	Stainless Steel ASTM A351 CF8M
2. End Adaptors	Stainless Steel ASTM A351 CF8M
3. Gland Housing	Stainless Steel ASTM A351 CF8M
4. Lever	Stainless Steel ASTM A351 CF8M
5. Extension Tube	Stainless Steel ASTM A312 TP304L
6. Stem	Stainless Steel BS EN 10088-3 1.4401
7. Ball	Stainless Steel 316 S31 BS970
8. Ball Seal	Hostaflon
9. End Adaptor Seal	Virgin PTFE
10. Fasteners	Stainless Steel BS6105 A2/A4 Gr.70
11. Gland Packings	Virgin PTFE



## Specifications

Size	Valve Size		Reduced Bore Size		Dimension						Torque		CV US GPM	Weight (kg)
	mm	in	mm	in	A	B	C	D	E	P.C.D	Nm	lbft		
					mm	mm	mm	mm	mm	mm	mm			
DN15	15	½	11	¾	230	250	21	67	190	50	10	7	9	3
DN25	25	1	20	¾	230	250	32	96	190	60	23	17	30	5.5
DN40	40	1½	32	1¼	230	250	49	117	230	80	40	30	90	7
DN50	50	2	37	1½	230	250	56	129	230	100	62	46	138	7.2

## How to Order

Part Number	Valve Size Diameter Nominal (DN)	Connection Type	Stem Length (mm)
CZFR30SB1E4S00	DN15	Butt Weld Schedule 10	230
CZFR30SSNE4S00		Socket Weld	
CZFR50SB1E4S00	DN25	Butt Weld Schedule 10	230
CZFR50SSNE4S00		Socket Weld	
CZFR70SB1E4S00	DN40	Butt Weld Schedule 10	230
CZFR70SSNE4S00		Socket Weld	
CZFR80SB1E4S00	DN50	Butt Weld Schedule 10	230
CZFR80SSNE4S00		Socket Weld	

Please contact us for other options.

**BESTOBELL**  
**AQUATRONIX**  
SINCE/DEPUIS 1953

Head Office  
2880 Argentia Road, Unit 3  
Mississauga, ON L5N 7X8  
salesdesk@bestobell.com  
1-800-668-3979  
www.bestobell.com

Montréal Office  
970 Montée de Liesse, #204  
St.Laurent, QC H4T 1W7  
ventes@bestobell.com  
1-877-331-1225

Atlantic Office  
166 North Side Road  
Riverport, NS B0J 2W0  
dmossman@bestobell.com  
902-529-0355