



Producto distribuido por

SDM
Oil & Gas

 (+51) 999 012777  ventas@sdm.pe

www.sdm.pe | Av. Galvez Barrenechea 274. San Isidro

CRYOGENIC RECIPROCATING PUMPS
VT-100 SERIES
 FOR INDUSTRIAL GASES

TECHNICAL FEATURES

- Compatible with Cold Converter and Thermosyphon storage tanks
- Modular assembly (from Simplex to Triplex)
- High efficiency
- Low operating noise
- Quick maintenance thanks to the cartridge seal system

APPLICATIONS

- Process applications and medium pressure capacities filling

CRANKDRIVE SYSTEM

- TW 10 - Oil lubrication

TRANSFERRED FLUIDS

- LIN, LOX, LAR, LCO₂, LN₂O



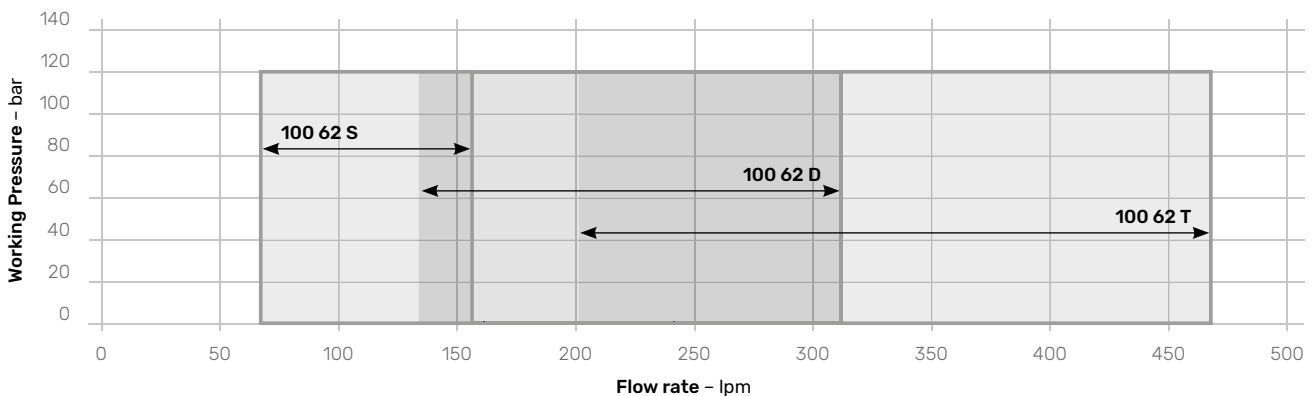
VT-100 TW 10 PERFORMANCES

Model	Piston		Flow rate				Maximum allowable suction pressure (MASP)		Maximum allowable working pressure (MAWP)		Power Installed
	Bore	Stroke	Min 150 rpm*		Max 350 rpm		bar	psi	bar	psi	Referred to MAWP
Series pump	mm	mm	lpm	gpm	lpm	gpm	bar	psi	bar	psi	kW
VT 100 62 S	100	62	67	17,7	156	41,2	20	290	120	1740	37 - 75
VT 100 62 D	100	62	134	35,4	312	82,4	20	290	120	1740	45 - 110
VT 100 62 T	100	62	201	53,1	468	123,6	20	290	120	1740	55 - 132

*Flow rate can be reduced by forced oil lubrication system

NPSH required: 1 - 1,2 m

Data can be subjected to change



STANDARD SUPPLY

- Painted steel frame
- Cryogenic pump
- Electric motor
- Transmission by belts and pulleys, available also with gearbox
- Double pulsation damper

STANDARD ACCESSORIES

- Suction flexible hose
- Return flexible hose
- Low pressure safety valve
- High pressure safety valve
- High pressure manual valve for venting
- Check valve
- Pressure gauge
- Pressure switch
- Temperature sensor for cool down
- Temperature sensor for cavitation
- Temperature sensor for leaks detection

OPTIONAL ACCESSORIES

- High pressure pneumatic vent valve
- Flushing system with nitrogen gas
- Electrical control panel
- 2 speed electric motor
- Motor suitable for VFD
- Complete automatic system available on demand

Average SKID weight: 1600 kg

Package overall dimensions: 302 x 119 x 115 cm

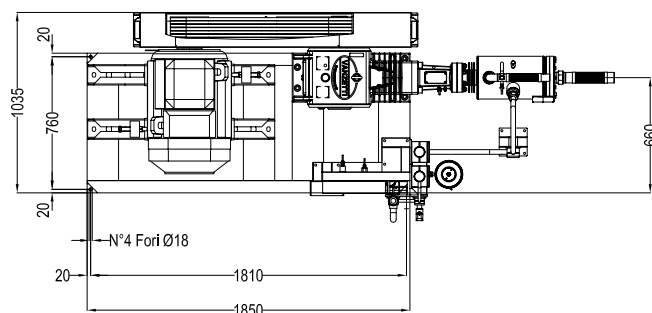
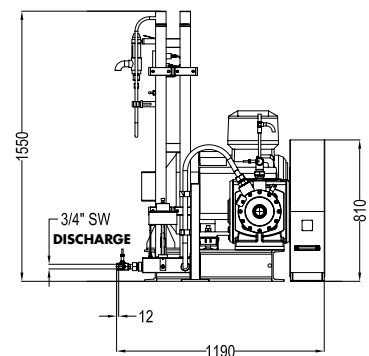
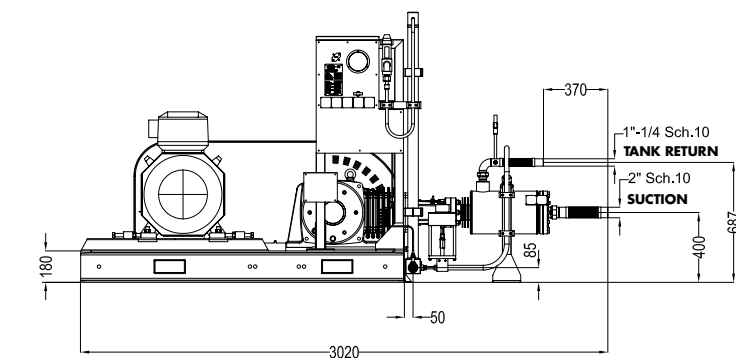
TESTS AND CHECKS

- Dimensional checks of each mechanical component before assembly
- Performance test with LIN available for class and customer

STANDARDS

Designed according to:

- European Directive Machinery
- European Directive PED
- EIGA/IGC/CGA guidelines

GENERAL DIMENSIONS**COLD END DETAIL**

The innovative seal cartridge allows a very easy maintenance



Certified quality
management system