



Producto distribuido por

**SDM**  
Oil & Gas

 (+51) 999 012777  [ventas@sdm.pe](mailto:ventas@sdm.pe)

[www.sdm.pe](http://www.sdm.pe) | Av. Galvez Barrenechea 274. San Isidro

# CRYOGENIC RECIPROCATING PUMPS HPH SERIES FOR INDUSTRIAL GASES

**TECHNICAL FEATURES**

- Low operating noise
- High reliability
- Easy maintenance

**APPLICATIONS**

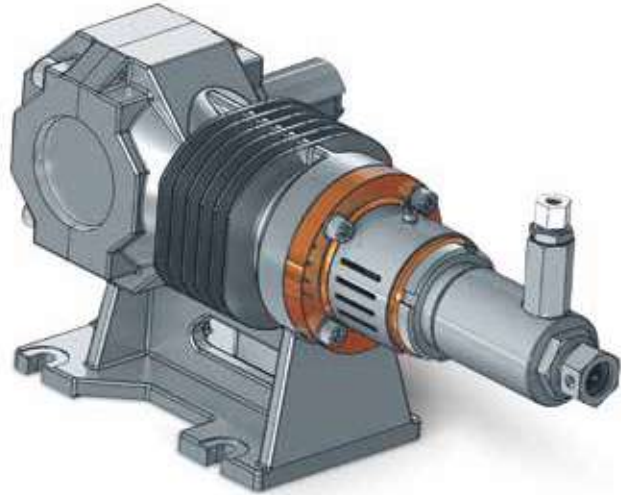
- Cylinders filling and high pressure accumulation capacities

**CRANKDRIVE SYSTEM**

- TW 3A - Grease Lubrication

**TRANSFERRED FLUIDS**

- LCO<sub>2</sub>, LN<sub>2</sub>O

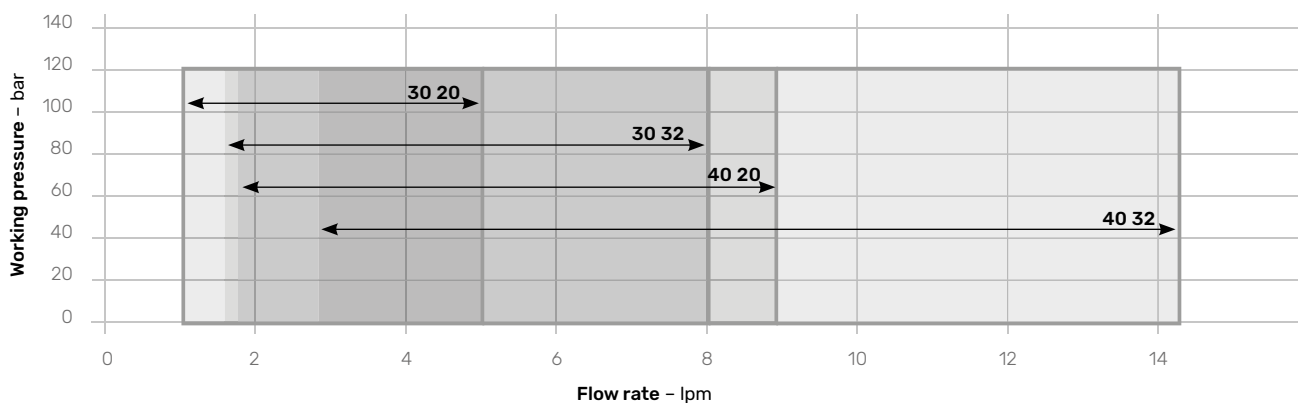


**HPH TW 3A PERFORMANCES**

Model	Piston		Flow rate				Maximum allowable suction pressure (MASP)		Maximum allowable working pressure (MAWP)		Power Installed
	Bore	Stroke	Min 80 rpm		Max 420 rpm						Referred to MAWP
Series pump	mm	mm	lpm	gpm	lpm	gpm	bar	psi	bar	psi	kw
HPH 30 20	30	20	1,0	0,3	5,0	1,3	30	435	120	1740	2,2 - 3
HPH 30 32	30	32	1,6	0,4	8,0	2,1	30	435	120	1740	2,2 - 5,5
HPH 40 20	40	20	1,7	0,4	8,9	2,4	30	435	120	1740	2,2 - 5,5
HPH 40 32	40	32	2,8	0,7	14,3	3,8	30	435	120	1740	2,2 - 7,5

NPSH required: 1 - 1,5 m

Data can be subjected to change



**STANDARD SUPPLY**

- Painted steel frame
- Pneumatic accumulator
- Cryogenic pump
- Electric motor
- Transmission system with belts and pulleys

**STANDARD ACCESSORIES**

- Low pressure safety valve
- Inox Filter
- Suction flexible hose

**OPTIONAL ACCESSORIES**

- Electrical control panel
- 2 speed electric motor
- Motor suitable for VFD
- Distribution Panel
- Complete automatic system available on demand

Average SKID weight: 280 kg

Package overall dimensions: 196 x 63 x 55 cm

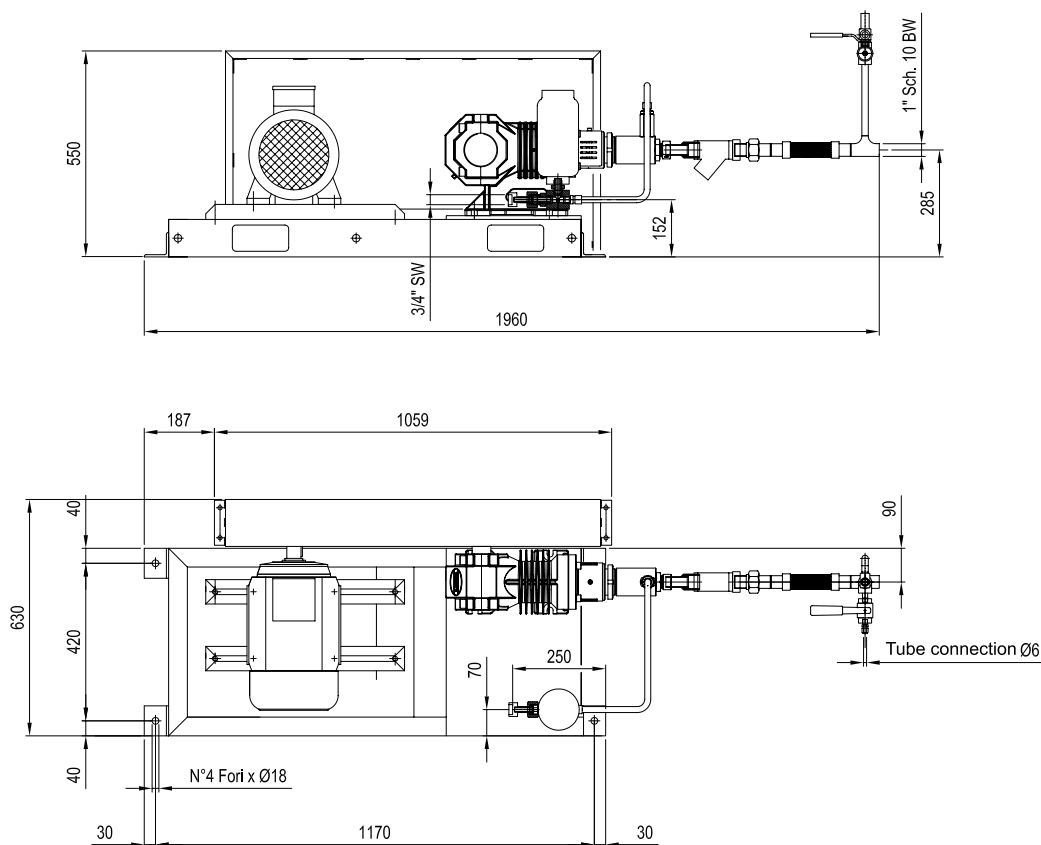
**TEST AND CHECKS**

- Dimensional control of each mechanical component before assembly
- Performance test with LIN available for class and customer

**STANDARDS**

Designed according to:

- European Directive Machinery
- EIGA/IGC/CGA guidelines

**GENERAL DIMENSIONS**

Certified quality management system