



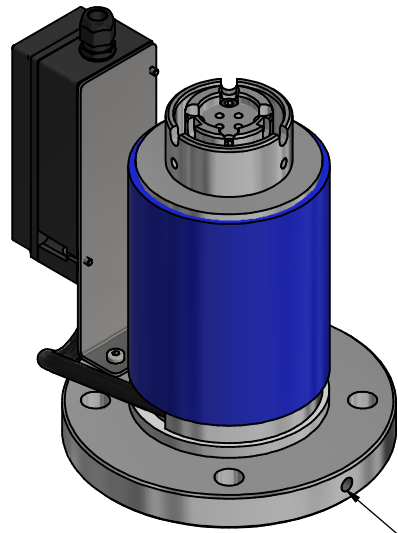
Producto distribuido por

**SDM**  
Oil & Gas

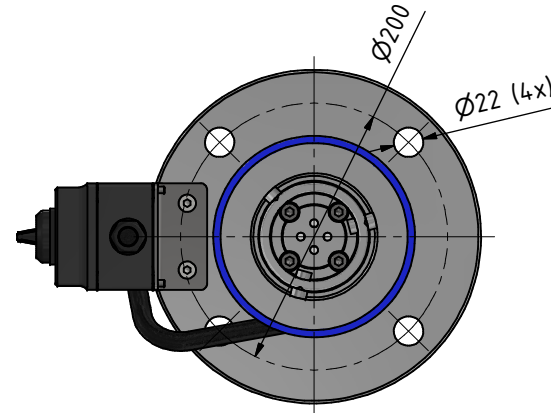
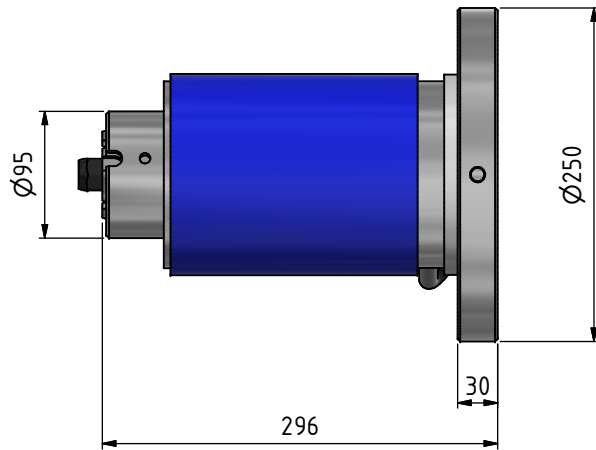
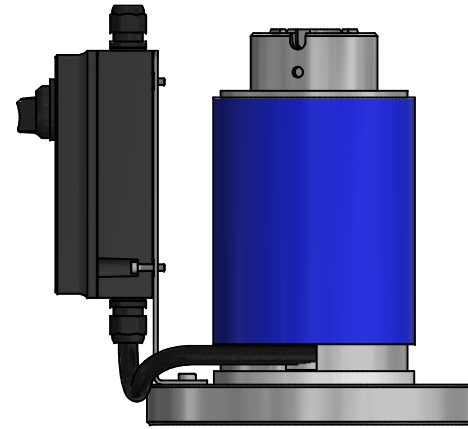
 (+51) 999 012777  [ventas@sdm.pe](mailto:ventas@sdm.pe)

[www.sdm.pe](http://www.sdm.pe) | Av. Galvez Barrenechea 274. San Isidro

Notice: This drawing contains proprietary information and shall not be used or reproduced or its contents disclosed in whole or in part, without the prior written consent of the Mann Teknik AB



Inlet air (1/4" BSP)



230-240V 50Hz  
Max 600W

Weight: 12kg

NO.	Revision comprises	Date	Sign.	Appr by
-----	--------------------	------	-------	---------

Detail No:	Material	Ämne/Blank	Ytbeh./Treatment	Vikt/Weight
<b>MannTek</b>	Designed/drawn by A. Eskilsson	Scale: 1 : 4	Dimension with no tolerances acc to Machined SS-ISO 2768-1 medium	
	Checked G. Kopplin	Date 2018-09-27	Weld Forge SS-ISO 2768-1 coarse	
	Approved M. Bäckström		Surface roughness SS-ISO 1302 Form & position tol SS-ISO 2768-2-K	
<b>Heated Parking DCC HU 2"</b>			Data nr./Comp No. HP-21-B1	Blad/Sheet 1 / 1
			Drawing No. <b>HP-21-B1-1</b>	