



Producto distribuido por

SDM
Oil & Gas

 (+51) 999 012777  ventas@sdm.pe

www.sdm.pe | Av. Galvez Barrenechea 274. San Isidro



V-FORCE®

High Efficiency Extended Surface Mini-Pleat Filters



Featuring Dynamic Double-V Design

- Exceeds LEED/Green Requirement of MERV 13
- Classified per UL Standard 900
- All Plastic Construction
- 100% Synthetic Media
- Fully Incinerable
- Moisture Resistant
- Chemical Resistant
- Lower Energy Cost
- Rigid Cell Design
- Low Resistance
- Light Weight



V-FORCE®

High Efficiency Extended Surface Mini-Pleat Filters

Available in MERV 13, MERV14 and MERV 15, V-FORCE filters are the best performing 2V filters on the market. Designed and manufactured to outperform other rigid cell filters, Airguard's V-FORCE is an exceptional replacement for traditional box and cartridge filters. With its combination of low pressure drop, high dust holding capacity, and competitive price, the V-FORCE is a logical upgrade in technology.

100% Synthetic Media

V-FORCE filters use 100% synthetic media, giving it the distinct advantage of being much **more durable than glass media**, as it resists tearing and abrasion during shipping, handling, and installation. Additionally, the synthetic media is **moisture and chemical resistant**, preventing mold growth and corrosion in highly humid and corrosive environments.

All Plastic Construction – No Metal Components

Constructed with high strength, high impact polystyrene sides (HIPS), V-FORCE filters contain no metal components, meaning **no risk of rust or corrosion**. The all plastic components with the synthetic media make V-FORCE filters fully incinerable, a beneficial option for disposal as landfill restrictions continue to grow.

Additionally, the all plastic frame makes the V-FORCE filter **lighter in weight** when compared with its metal-containing alternatives, which equals **lower shipping costs** and makes manual transportation and installation **safer, easier, and faster**.

Mini-Pleat Media Packs Made with Glue Bead Separators

The media is pleated into mini-packs using continuous glue bead separators. This creates a high ratio of media area to filter face area for low resistance, high dust holding capacity and long service life.

The glue bead separators bond the pleats into a highly rigid pack that maintains uniform spacing in all types of operating conditions. The pleats hold their shape and do not deform or collapse as the dirt load builds and resistance rises. Uniform pleat spacing allows dirt to load evenly over every square inch of filter surface area. The media is fully utilized with no blocking off.



V-FORCE filters are made with four mini-pleat media packs fashioned into two V-shaped assemblies. The inset photo shows that the end panels are made with a notch to attach the spring latch used to secure the filter in the holding frame for reverse flow installations.

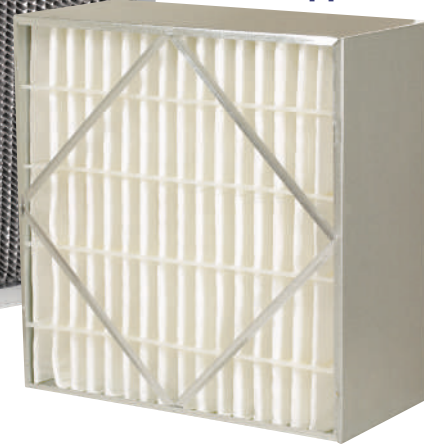
Rigid Cell Design

The V-FORCE's rigid cell design, mini-pleat packs, durable all plastic frames and synthetic media provide the **structural integrity to thrive in the most demanding installations**, including variable airflow volume, high airflow, turbulence, repeated fan shutdowns, and high moisture and corrosive environments. All of these qualities make it an ideal upgrade for other rigid style filters – those with corrugated separators and supported media. The V-FORCE provides better performance at a better price.

Corrugated Separator Style



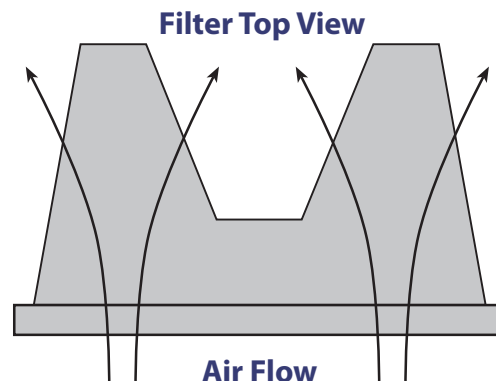
Supported Pleat Style



If you are using other styles of rigid cell extended surface filters, compare performance and price to V-FORCE filters.

Performance

The V-FORCE possesses **industry-leading low pressure drop and high dust holding capacity** for 2-V filters. The media is manufactured into four mini-pleat media packs specifically angled to direct air flow through the packs and out the back side. This design provides a wide open entrance that allows the air to flow through the filter with minimal resistance while maintaining high efficiency. Ultimately, the dynamically shaped air flow pattern achieves **minimum pressure drop and maximizes energy savings**.



The Double-V design creates a wide open entrance into the filter resulting in low resistance and full use of media.

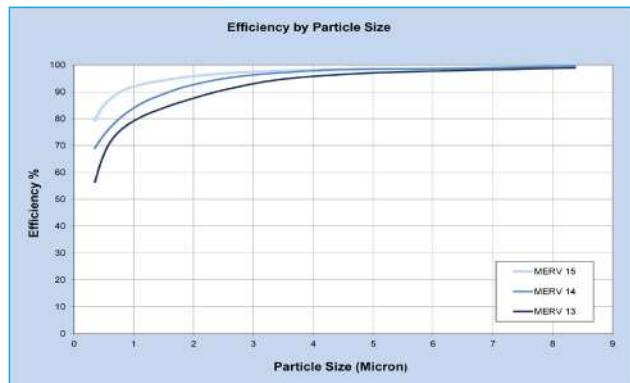
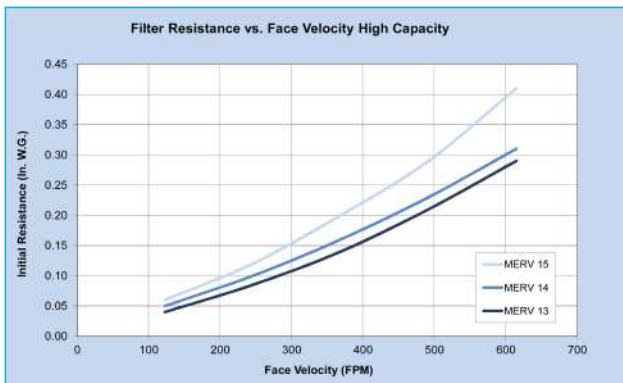
V-FORCE®

High Efficiency Extended Surface Mini-Pleat Filters

Model Number	Nominal Size Inches (HxWxD)	Actual Size Inches (HxWxD)	Rated Air Flow Capacity (CFM)	Initial Resistance (In. W. G.) @Rated Air Flow	Recommended Final Resistance (In. W. G.)
MERV 15					
VPP2V-S-MV15-03	12X24X12	11 ³ / ₈ x 23 ³ / ₈ x 11 ¹ / ₂	1000	.29"	1.5"
VPP2V-S-MV15-13	20X20X12	19 ³ / ₈ x 19 ³ / ₈ x 11 ¹ / ₂	1400	.29"	1.5"
VPP2V-S-MV15-15	20X24X12	19 ³ / ₈ x 23 ³ / ₈ x 11 ¹ / ₂	1650	.29"	1.5"
VPP2V-S-MV15-04	24X24X12	23 ³ / ₈ x 23 ³ / ₈ x 11 ¹ / ₂	2000	.29"	1.5"
MERV 14					
VPP2V-S-MV14-03	12x24x12	11 ³ / ₈ x 23 ³ / ₈ x 11 ¹ / ₂	1000	.22"	1.5"
VPP2V-S-MV14-13	20X20X12	19 ³ / ₈ x 19 ³ / ₈ x 11 ¹ / ₂	1400	.22"	1.5"
VPP2V-S-MV14-15	20X24X12	19 ³ / ₈ x 23 ³ / ₈ x 11 ¹ / ₂	1650	.22"	1.5"
VPP2V-S-MV14-04	24x24x12	23 ³ / ₈ x 23 ³ / ₈ x 11 ¹ / ₂	2000	.22"	1.5"
MERV 13					
VPP2V-S-MV13-03	12X24X12	11 ³ / ₈ x 23 ³ / ₈ x 11 ¹ / ₂	1000	.21"	1.5"
VPP2V-S-MV13-13	20X20X12	19 ³ / ₈ x 19 ³ / ₈ x 11 ¹ / ₂	1400	.21"	1.5"
VPP2V-S-MV13-15	20X24X12	19 ³ / ₈ x 23 ³ / ₈ x 11 ¹ / ₂	1650	.21"	1.5"
VPP2V-S-MV13-04	24X24X12	23 ³ / ₈ x 23 ³ / ₈ x 11 ¹ / ₂	2000	.21"	1.5"

1. All performance data is based on the ASHRAE 52.2-2012 Test Standard. Data based on 24x24 size at a test velocity of 492 FPM.
2. Width and height dimensions are interchangeable. **V-FORCE** filters can be installed with the pleats vertical or horizontal
3. Continuous Operating Temperature: 140°F (60°C).

Underwriters Laboratories Inc. Classification: V-FORCE filters are classified per UL Standard 900.



A-VF-0815



www.clclair.com/airguard



Distributed by:



CLARCOR Air Filtration Products, Inc.
 100 River Ridge Circle • Jeffersonville, IN 47130
 Customer Service: 1-866-247-4827 • Fax: 1-866-601-1809
 Email: mailbag@airguard.com • www.clclair.com/airguard

© 2015 CLARCOR Air Filtration Products, Inc.
 CLARCOR Air Filtration Products has a policy of continuous product research and development and reserves the right to change design and specifications without notice. Terms and Conditions of Sale can be accessed in the "LOGIN" section at www.clclair.com/airguard